



## BC9303 Series LED Hazardous Area Platform Light

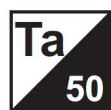
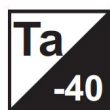
Spec Sheet

### Overview

The Tormin BC9303 Series LED Hazardous Area Platform Light is designed to be used in a wide range of internal and exterior hazardous areas, as well as in the harshest weather conditions, making it a highly versatile platform light fitting.

### Features & Benefits

- Unique recessed focal reflector delivers light accurately and evenly, exactly where it is needed, saving energy, reducing glare and reducing light pollution.
- Ultra-efficient CREE LED light source.
- Meanwell Driver with built in surge protection.
- Anti-vibration locking fixing U-bracket.
- Heavy duty anti-corrosion powder coated aluminium housing.
- All external components made from 304 stainless steel.
- ATEX Certified Zones 1 and 2, 21 and 22, Certified by Eurofins product testing, Italy.



## Technical Specification

Description: BC9303 Series LED Hazardous Area Platform Light Recommended Product Location: Hazardous areas

PRODUCT DETAILS	
Ex mark	16 Ex d IIB T6 Gb, Ex tb IIIC T80°C Db
Voltage	90-305 VAC 50/60Hz
IP Rating	IP66
Typical Lumens per watt	112
Colour Rendering	>0.75
LED Module	CREE
Beam angle	120°*140°
Operating Temperature	-40°C to +45°C
Colour Temperature	5000k (4000k & 6500k available special order)
Power Factor	>0.95
Dimming Control	Special order
Driver	Meanwell
Dimension	326*370*88mm
Warranty	5 Year Repair / Replace Warranty
Cable Entry	G3/4"
Net Weight	9 kg's

PRODUCT OPTIONS	
Occupancy Sensor	N/A
Light level sensor	N/A
Remote Programmable Sensor	N/A
High borosilicate glass front	Fitted as standard
RGB	N/A
12-24v	N/A
Emergency	N/A
Fixed Bracket Mounting	Fitted as standard

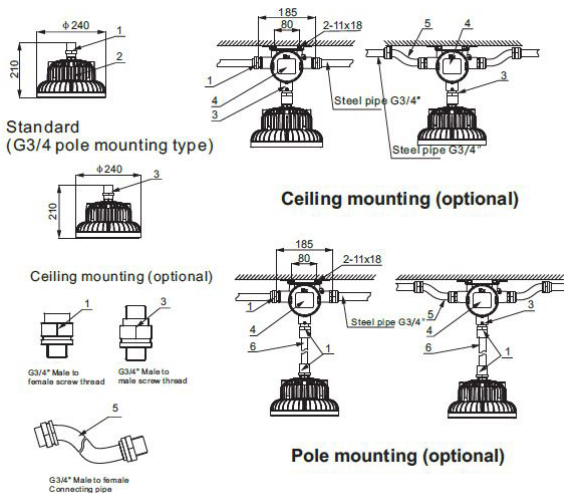
## Ambient Temperature / Temperature Group

Circuit Watts	TA ≤45°C
60w	T6
40w	T6
60w	T6
80w	T6

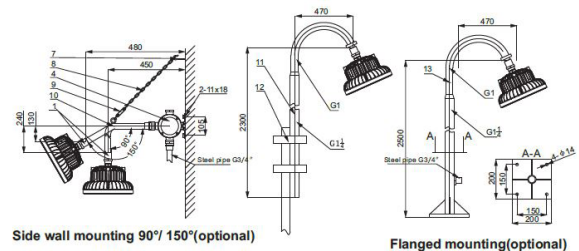
## Performance Chart

LED POWER	CIRCUIT WATTS	TYPICAL LUMENS
22.00w	25w	2400lm
35.20w	40w	4300lm
52.80w	60w	5800lm

## Diagram of BC9303 series



## Diagram of BC9303 series



The Tormin BC9303 is covered by our 5 Year repair/replace Warranty. Warranty upgrade packages available. UK purchases, warranty handled through Carbon8Lighting.

www.carbon8lighting.co.uk  
01256 300031  
sales@c8l.co.uk

**CARBON8**  
LIGHTING

