



# Discus Gen2 Street Light

20W - 150W Spec Sheet

## Overview

The Ultra-efficient Discus Streetlight Gen2 offers market leading performance. The range is offered with a choice of symmetric and asymmetric precision lenses to ensure that the light directs to exactly where it's needed. In doing this the Discus Streetlight Gen2 maximises efficacy while minimising secondary glare and light pollution.

The flexible head is adjustable through 90 degrees allowing for horizontal or vertical mounting (+/-15°) The Discus Gen2 Streetlight is ideal for a wide range of street lighting and car park lighting applications.

Optional daylight sensing offers even greater energy saving, ensuring that the light fitting is on only when it is needed. The LED Discus Streetlight offers outstanding combination of performance, quality and flexibility.

## Features & Benefits

- Die-cast Aluminium Housing with UV stabilized powder coating.
- Precision accurate polycarbonate lenses put light where its wanted and reduce/eliminate light pollution with 90° total cut off.
- NEMA socket option for photo cell/lighting controls.
- IP66/IK08 Rated, 3G Vibration Rating.
- Dali Dimming Control (0-10V / PMW).
- Ultra-efficient performance up to 155lm/W.
- Carbon8's Unique 5 Year Premier Care Warranty Program.
- Top or side spigot mounting.
- Tempered glass lens cover minimises dirt build up reducing maintenance.
- Inbuilt 10KVa Surge protection.

## Application



EXTERNAL  
LIGHTING



STREET  
LIGHTING

[www.carbon8lighting.co.uk](http://www.carbon8lighting.co.uk)  
01256 300031  
[sales@c8l.co.uk](mailto:sales@c8l.co.uk)

# Technical Specification

Description: Discus Gen2 Streetlight

Recommended Product Location: External

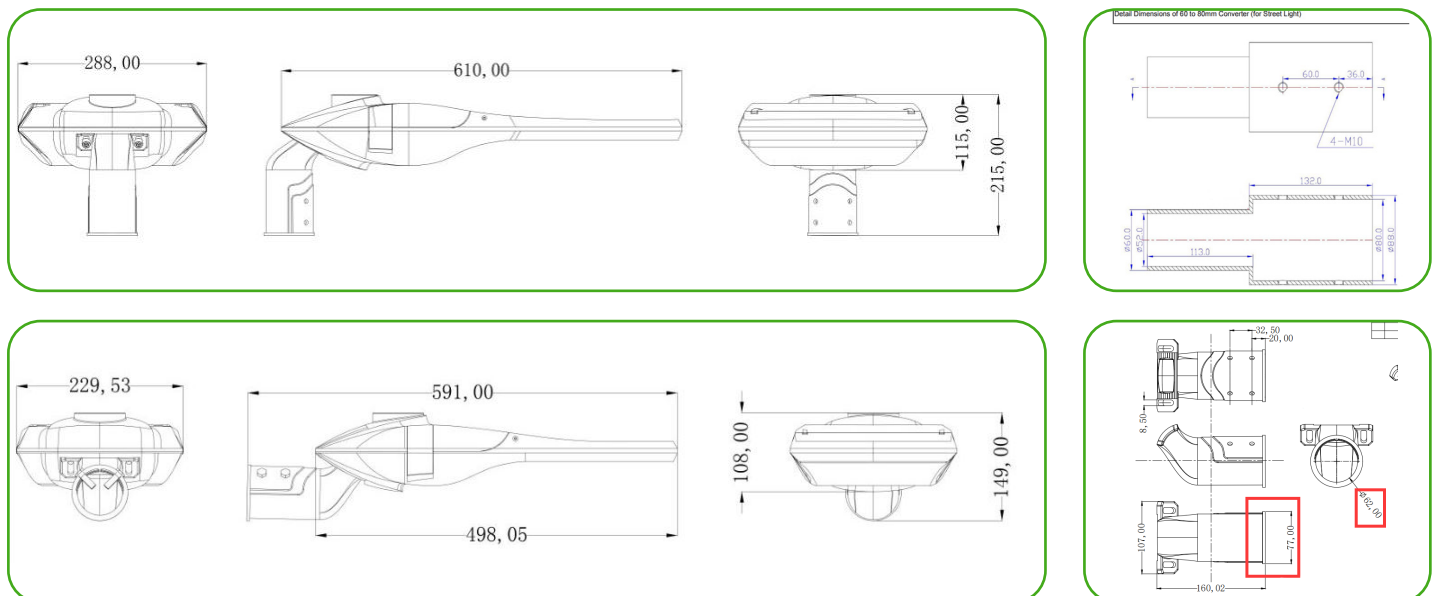
PRODUCT DETAILS	
Voltage	100-227 VAC 50/60Hz
IP Rating	IP66
Typical Lumens per watt	150/155lm/W
Colour Rendering	>70 (>80/90 available special order)
LED Module	Lumileds
Beam angle	T2(50x140) T3(40x140) T4(30x140)
Operating Temperature	-40° to +50°
Warranty	5 year Premier Care
Colour Temperature	3000k, 4000k, 5000k, 5700k, 6500k
Power Factor	>0.95
Case Material	Cast Aluminium / Tempered Glass
Driver	Meanwell
OPTIONS	
Sensor Controls	Available special order
Photocell	Available special order
Mounting	Vertical/Horizontal
Dimming Control	Available special order
RGB	N/A
12-24v DC	N/A
Emergency	N/A

## Performance Chart

LED POWER	CIRCUIT WATTS	TYPICAL LUMENS	WEIGHT	DIMENSIONS
20W	21	3202	4.4 KG'S	238 x 650 x 505 x 140mm
30W	32	4800	4.4 KG'S	238 x 650 x 505 x 140mm
40W	42	6290	4.4 KG'S	238 x 650 x 505 x 140mm
50W	51	7680	4.4 KG'S	238 x 650 x 505 x 140mm
60W	61	9120	4.4 KG'S	238 x 650 x 505 x 140mm
75W	76	11061	4.4 KG'S	238 x 650 x 505 x 140mm
90W	90	13802	6.3 KG'S	290 x 765 x 620 x 145mm
120W	120	18282	6.3 KG'S	290 x 765 x 620 x 145mm
150W	150	22226	6.3 KG'S	290 x 765 x 620 x 145mm



## Diagram of Discus Gen2 Street Light



The Discus Gen2 Streetlight is covered by Carbon8Lighting's unique 5 Year Premier Care Warranty. Very rarely, even a Carbon8 fitting can become faulty. Should this happen at any point during the 5 year warranty, Carbon8 will send an advance replacement fitting to site, pay up to £250+VAT towards the exchange and collect the swapped fitting from site. As well as minimising down time, this unique warranty reassures customers investing in a Carbon8 product, there will be no hidden cost of ownership.

www.carbon8lighting.co.uk  
 01256 300031  
 sales@c8l.co.uk

**CARBON8**  
 LIGHTING

