

CARBON8
LIGHTING

Discus Gen3 LED High Bay

70W - 300W Spec Sheet

Overview

Market leading and Ultra-efficient, the Discus Gen3 High Bay is an evolution of Carbon8Lighting's highly successful Discus LED High Bay range. The Discus Gen3 High Bay is specifically tailored for lighting large areas such as warehouses and factories, inside and out.

The Discus Gen3 High Bay replaces conventional sodium and metal halide fittings, consuming a fraction of the energy and eliminating expensive lamp replacement and maintenance. Competitively priced and with unparalleled performance of in excess of 168 lumens per watt, the Discus Gen3 High Bay offers unrivalled value for money and impressive return on investment figures.

The Discus Gen3 High Bay range combines high quality materials, leading edge technology and intelligent design to produce a robust and reliable light fitting that is IP65 rated and can operate in the harshest environments. Powering Carbon8Lighting's Discus Gen3 High Bay is the highly efficient Meanwell power supply with built in power factor correction, temperature and surge protection which together provide outstanding performance and reliability. Options available for the Discus Gen3 High Bay include dimmable sensor control with light level/occupancy control, fixed bracket wall/ceiling mounting and emergency.

Features & Benefits

- Die-cast Aluminium Housing with UV stabilized powder coating.
- IP65/IK08 Rated, 3G Vibration Rating.
- Ultra-efficient performance up to 168lm/W.
- Carbon8's Unique 7 Year Premier Care Warranty Program.
- Suitable for food production areas.

Application



Technical Specification

Description: Discus Gen3 High Bay

Recommended Product Location: All locations, indoors and out

PRODUCT DETAILS	
Voltage	120-277 VAC 50/60Hz
IP Rating	IP65
Typical Lumens per watt	168
Colour Rendering	>70 (>80 available special order)
LED Module	Philips / Osram
Beam angle	120°
Operating Temperature	-25° to +40°
Warranty	7 year Premier Care
Colour Temperature	5000k (4000k & 6500k available special order)
Power Factor	>0.90
Dimming Control	Dali as Standard
Driver	Meanwell/Inventronics

OPTIONS	
Occupancy Sensor	✓
Light level sensor	✓
Remote Programmable Sensor	✓
Polycarbonate front	Fitted as standard
RGB	N/A
12-24v	N/A
Emergency	✓
Fixed Bracket Mounting	✓

Performance Chart

LED POWER	CIRCUIT WATTS	TYPICAL LUMENS	WEIGHT	DIMENSIONS
70W	75	12450	2.9 KG'S	280mm
90W	101	16800	3.0 KG'S	280mm
120W	129	21775	3.9 KG'S	340mm
150W	163	27120	4.0 KG'S	340mm
200W	201	33400	5.0 KG'S	400mm
300W	302	49800	6.1 KG'S	460mm



Diagram (70-90W)

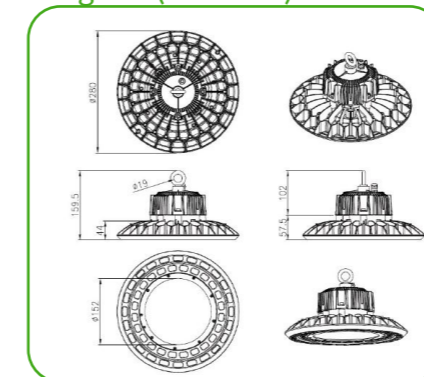


Diagram (120-150W)

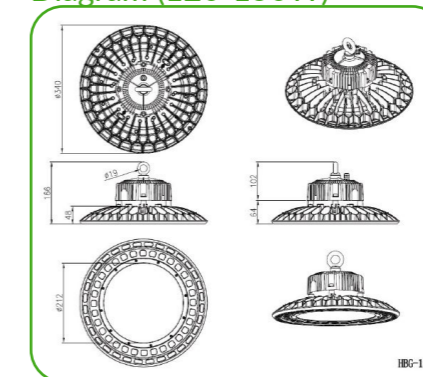


Diagram (200W)

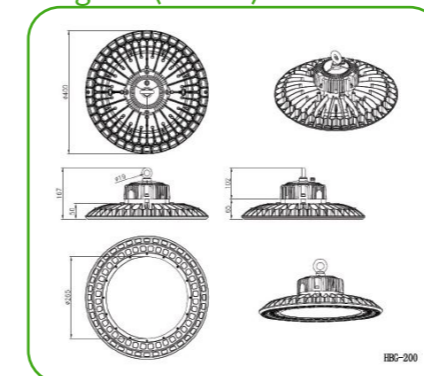
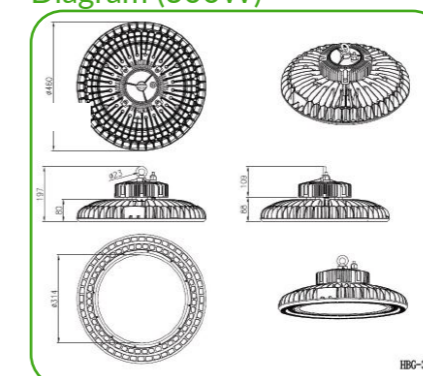


Diagram (300W)



The Discus Gen3 High Bay is covered by Carbon8Lighting's unique 7 Year Premier Care Warranty. Very rarely, even a Carbon8 fitting can become faulty. Should this happen at any point during the 7 year warranty, Carbon8 will send an advance replacement fitting to site, pay up to £500+VAT towards the exchange and collect the swapped fitting from site. As well as minimising down time, this unique warranty reassures customers investing in a Carbon8 product, there will be no hidden cost of ownership.

www.carbon8lighting.co.uk
01256 300031
sales@c8l.co.uk

CARBON8
LIGHTING



www.carbon8lighting.co.uk
01256 300031
sales@c8l.co.uk

CARBON8
LIGHTING

